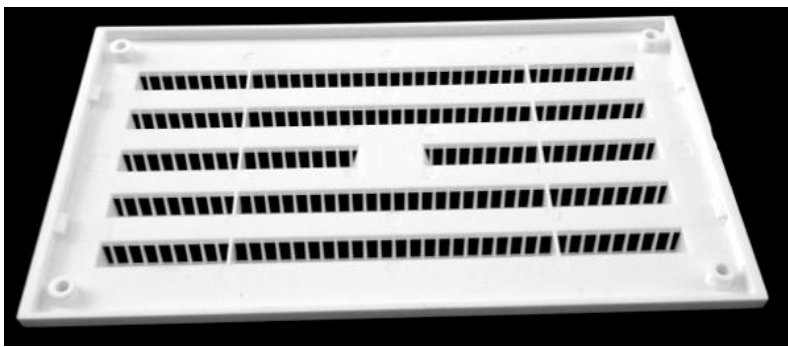
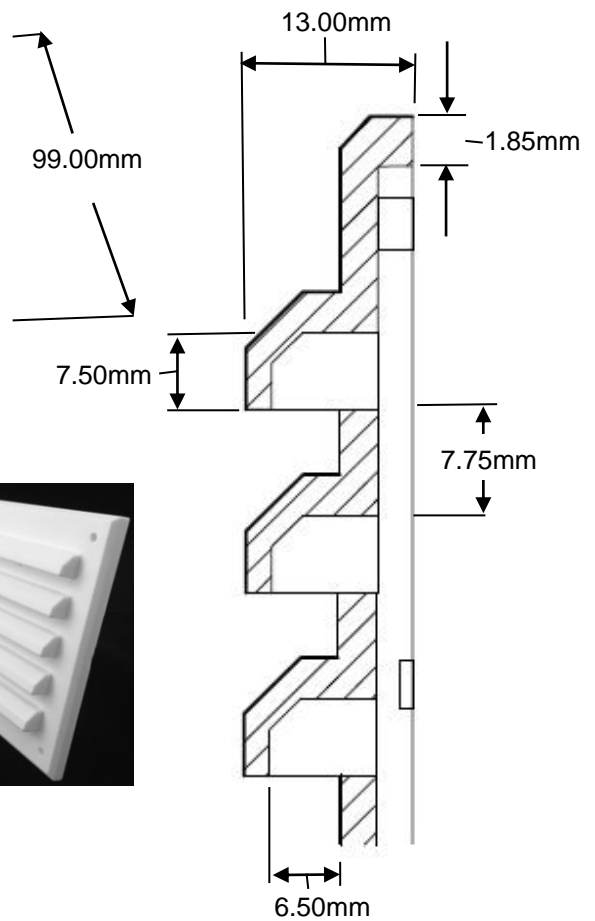
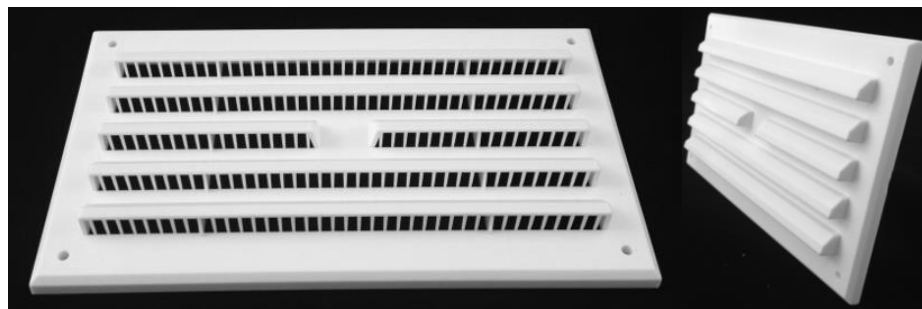


6" x 3" VENT + FLYSCREEN

REF: RVH63M



170.00mm



General

6" x 3" Plastic compartment vent with integrated fly screen. Not suitable for venting gas appliances.
External or internal use, Keyed surface for painting.
Closable version available HM63

Details

REF	RVH63M	MANUFACTURING PROCESS	Injection moulded
BOX SIZE (MM)	390 X 165 X 165	MATERIAL	HIPS – High Impact Polystyrene
PALLET SIZE (M)	1 X 1.2 X 2.25		
FREE AREA	20cm ²		
PACKING	Product per box = 25, Boxes per pallet = 165		
WEIGHT	Product = 40g, Box = 1.387kg, Pallet = 305kg	COLOUR	WHITE, BROWN, TERRACOTTA

References

Version 2.0 | 10/10/2019 | DRN BY T.S.HUISH | DRG No. RVH63M

Airflow(Nicoll Ventilators) Limited, Unit 15 Queensway, Stem Lane Industrial Estate, New Milton, Hampshire, BH25 5NN
Telephone: 01425 611547 FAX:01425 638912 e-mail:sales@airflow-vent.co.uk
Made in the UK

Due to continuous development Airflow (Nicoll Ventilators) Limited reserves the right to amend the specification without notice.