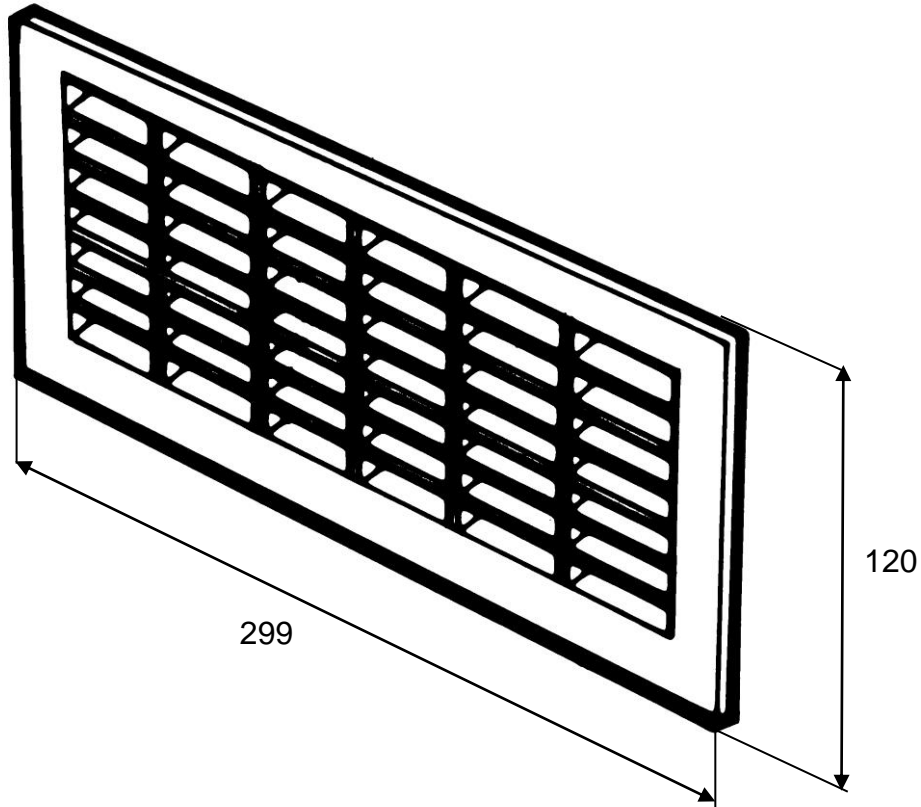


**PLASTIC COMPARTMENT VENTILATOR**

**REF: B151**

**B151**



**General**

Suitable for internal and external use. May be used each side of doors, compartments and joinery applications down to 25mm (1") in thickness.

Fly screened versions are available on request but the product is then made unsuitable for use with gas appliances.

**Details**

REF	B151	MANUFACTURING PROCESS	Injection Moulded
OVERALL SIZE MM.	299 x 120	MATERIAL	Plastic (High Impact Polystyrene)
SPIGOT SIZE MM.	276 x 97		
FREE AREA	150cm <sup>2</sup>		
PACKING	Boxed Pack of 10	COLOUR	White
WEIGHT	118 grams each		

**References BS5440 Pt.2:2000**

Version 1.0 | 02/02/2007 | DRN DEH | DRG No. AF-B151-005

**Airflow(Nicol Ventilators) Limited, 15 Queensway, Stem Lane Industrial Estate, New Milton, Hampshire, BH25 5NN**  
Telephone: 01425 611547 FAX:01425 638912 e-mail:sales@airflow-vent.co.uk  
**Made in the UK**

Due to continuous development Airflow (Nicol Ventilators) Limited reserves the right to amend the specification without notice.